

## Architape AR-03

### Indoor LED light fixture

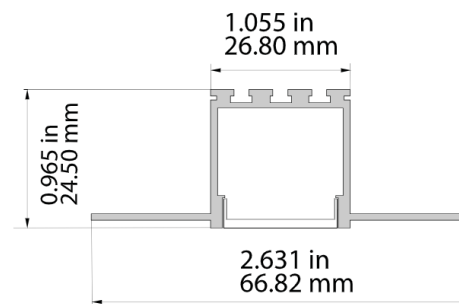


Architape AR-03 is a recess mount fixture for direct lighting applications. Made from lightweight aluminium, it is designed for long-term indoor professional lighting applications.

This profile is the ideal match for our Architape Pro LED tapes. These white, tuneable white and RGB+W LED tapes are available in a wide range of colour temperatures (CCT) and with a colour rendering index (CRI) of up to 98+.

### Specifications

- Width: 26.8 mm (66.8 including flanges)
- Height: 24.5 mm
- Length: up to 3 m
- Light output ratio:
  - Clear: 95% transmission
  - Opal: 70% transmission
- TC temperature: up to 75 °C
- Operating temperature: -25 °C to +50 °C
- LED engine: up to 24 W/m



### Cover options



Opal  
(70% transmission)



Clear  
(95% transmission)

## Mounting brackets

The Architape AR-03 profile is mounted using metal springs (AF-381 or AF-171).



AF-381



AF-171

## End caps

Description	Product code
End cap	AH-19.CAP



## Socket connectors

Code	Description
ARC-CON-2M-LXXX	2-pin socket
ARC-CON-3M-LXXX	3-pin socket
ARC-CON-4M-LXXX	4-pin socket
ARC-CON-5M-LXXX	5-pin socket

## Socket/plug connectors

Code	Description
ARC-CON-2M/2F-LXXX	2-pin extension
ARC-CON-3M/3F-LXXX	3-pin extension
ARC-CON-4M/4F-LXXX	4-pin extension
ARC-CON-5M/5F-LXXX	5-pin extension

## Plug connectors

Code	Description
ARC-CON-2F-LXXX	2-pin plug
ARC-CON-3F-LXXX	3-pin plug
ARC-CON-4F-LXXX	4-pin plug
ARC-CON-5F-LXXX	5-pin plug



## Connector wire lengths

Code	L200	L500	L1000	L2000	L3000	L5000	L9000
Length	200 mm	500 mm	1000 mm	2000 mm	3000 mm	5000 mm	9000 mm
	8 in	1 ft 8 in	3 ft 3 in	6 ft 6 in	9 ft 9 in	16 ft 5 in	29 ft 6 in

## Architape Pro LED tapes

Architape AR-03 fixtures support a wide range of Architape Pro LED tapes. Delivering high-quality light output based on Nichia LEDs, Architape Pro LED tapes are available in white, tuneable white or RGB+W, across a wide range of colour temperatures and up to a very high colour rendering index of 98+.

### Architape Pro 50

These white light LED strips are available in a range of power outputs and at fixed colour temperatures from 2000K to 6500K.

#### *Specifications*

- 56 Nichia LEDs/m
- Operating voltage: 24 VDC
- Power consumption: 4.8 W/m – 19.2 W/m
- Colour rendering index (CRI): 80, 90, 98+-
- Colour temperature: 2000K-6500K (CRI 80, 90), 3000-5000 (CRI 98+)

### Architape Pro 100

Offering highly homogenous light output, these white light LED strips are available in a range of power outputs and at fixed colour temperatures from 2000K to 6500K.

#### *Specifications*

- 112 Nichia LEDs/m
- Operating voltage: 24 VDC
- Power consumption: 4.8 W/m – 19.2 W/m
- Colour rendering index (CRI): 80, 90, 98+-
- Colour temperature: 2000K-6500K (CRI 80, 90), 3000-5000 (CRI 98+)

### Architape Pro TW & TW2

These tuneable white light LED strips can be adjusted to any colour temperature from 2000K to 6500K.

#### *Specifications*

- 56, 70 or 112 (TW2) Nichia LEDs/m
- Operating voltage: 24 VDC
- Power consumption: 9.6 W/m – 33.6 W/m
- Colour rendering index (CRI): 80, 90, 98+-
- Colour temperature: 2000K-6500K (CRI 80, 90), 3000-5000 (CRI 98+)

### Architape Pro RGB+W

These coloured LED strips can be set to any colour and are available in white light colour temperatures from 2000K to 6500K.

#### *Specifications*

- 48 RGB + 48 white Nichia LEDs/m
- Operating voltage: 24 VDC
- Power consumption: 14.4 W/m – 24.0 W/m
- Colour rendering index (CRI): 80, 90, 98+-
- White colour temperature: 2000K-6500K (CRI 80, 90), 3000-5000 (CRI 98+)