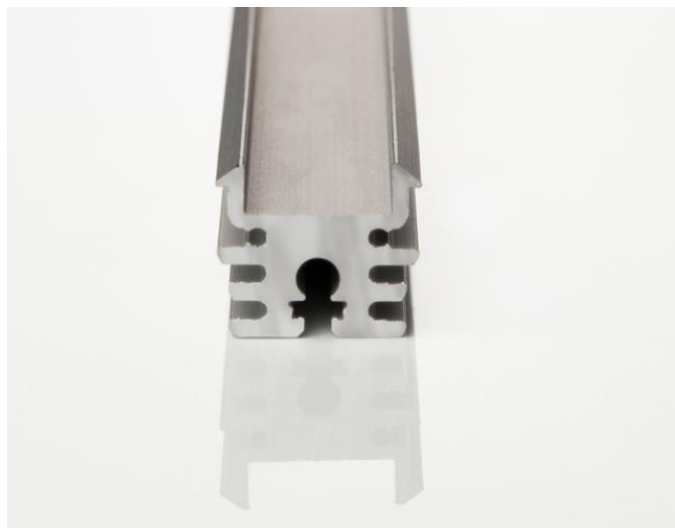


## Architape AP-06

### Indoor LED light fixture



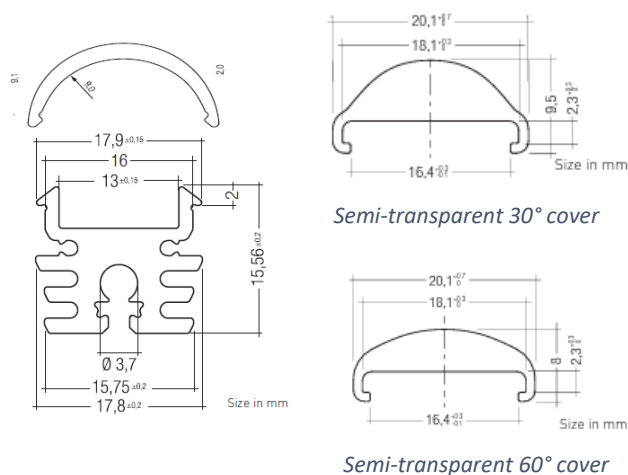
Architape AP-06 is a lightweight aluminium fixture designed for long-term indoor professional lighting applications.

This profile has a compact cross-section and fits a variety of covers. It is available with a range of mounting options allowing it to be mounted at up to a 60° angle.

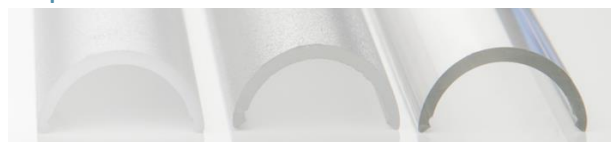
This profile is the ideal match for our Architape Pro LED tapes. These white, tuneable white and RGB+W LED tapes are available in a wide range of colour temperatures (CCT) and with a colour rendering index (CRI) of up to 98+.

### Specifications

- Width: 17.9 mm
- Height: 15.6 mm
- Length: up to 2 m
- Light output ratio:
  - White: 75% transmission
  - Diffuse: 92% transmission
  - Transparent: 92% transmission
  - Semi-transparent 30°: 85% transmission
  - Semi-transparent 60°: 89% transmission
- TC temperature: up to 75 °C
- Operating temperature: -25 °C to +50 °C
- LED engine: up to 35 W/m



### Cover options



White (75% transmission)      Diffuse (92% transmission)      Transparent (92% transmission)



Semi-transparent 30° (85% transmission)



Semi-transparent 60° (89% transmission)



## Mounting brackets

Mounting brackets for the Architape AP-06 profile are available in a range of angles from 0-60 degrees.



## End caps

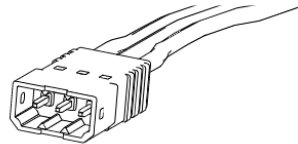
Description	Product code
End cap	AE-PO6-CAP
End cap with hole	AE-PO6-CAP-H



## Connectors

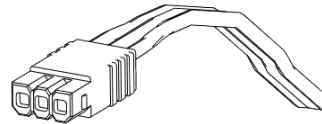
### Male connector

*For indoor use only*



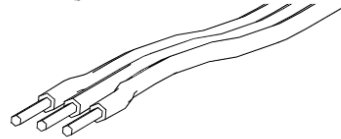
### Female connector

*For indoor use only*



### Lead wires end

*Any connector can be used*



Connector	Dimensions	Male		Female	
		Length	Width	Length	Width
WHITE 2-pin	Length	0.61"	15.5 mm	0.59"	15 mm
	Width	0.263"	6.7 mm	0.24"	6.1 mm
	Height	0.196"	5 mm	0.196"	5 mm
TW 3-pin	Length	0.61"	15.5 mm	0.59"	15 mm
	Width	0.362"	9.2 mm	0.338"	8.6 mm
	Height	0.196"	5 mm	0.196"	5 mm
RGB 4-pin	Length	0.61"	15.5 mm	0.59"	15 mm
	Width	0.648"	16.5 mm	0.437"	11.1 mm
	Height	0.204"	5.2 mm	0.196"	5 mm
RGBW 5-pin	Length	0.61"	15.5 mm	0.59"	15 mm
	Width	0.559"	14.2 mm	0.535"	13.6 mm
	Height	0.196"	5 mm	0.196"	5 mm

## Architape Pro LED tapes

Architape AP-06 fixtures support a wide range of Architape Pro LED tapes. Delivering high-quality light output based on Nichia LEDs, Architape Pro LED tapes are available in white, tuneable white or RGB+W, across a wide range of colour temperatures and up to a very high colour rendering index of 98+.

### Architape Pro 50

These white light LED strips are available in a range of power outputs and at fixed colour temperatures from 2000K to 6500K.

#### *Specifications*

- 56 Nichia LEDs/m
- Operating voltage: 24 VDC
- Power consumption: 4.8 W/m – 19.2 W/m
- Colour rendering index (CRI): 80, 90, 98+-
- Colour temperature: 2000K-6500K (CRI 80, 90), 3000-5000 (CRI 98+)

### Architape Pro 100

Offering highly homogenous light output, these white light LED strips are available in a range of power outputs and at fixed colour temperatures from 2000K to 6500K.

#### *Specifications*

- 112 Nichia LEDs/m
- Operating voltage: 24 VDC
- Power consumption: 4.8 W/m – 19.2 W/m
- Colour rendering index (CRI): 80, 90, 98+-
- Colour temperature: 2000K-6500K (CRI 80, 90), 3000-5000 (CRI 98+)

### Architape Pro TW & TW2

These tuneable white light LED strips can be adjusted to any colour temperature from 2000K to 6500K.

#### *Specifications*

- 56, 70 or 112 (TW2) Nichia LEDs/m
- Operating voltage: 24 VDC
- Power consumption: 9.6 W/m – 33.6 W/m
- Colour rendering index (CRI): 80, 90, 98+-
- Colour temperature: 2000K-6500K (CRI 80, 90), 3000-5000 (CRI 98+)

### Architape Pro RGB+W

These coloured LED strips can be set to any colour and are available in white light colour temperatures from 2000K to 6500K.

#### *Specifications*

- 48 RGB + 48 white Nichia LEDs/m
- Operating voltage: 24 VDC
- Power consumption: 14.4 W/m – 24.0 W/m
- Colour rendering index (CRI): 80, 90, 98+-
- White colour temperature: 2000K-6500K (CRI 80, 90), 3000-5000 (CRI 98+)